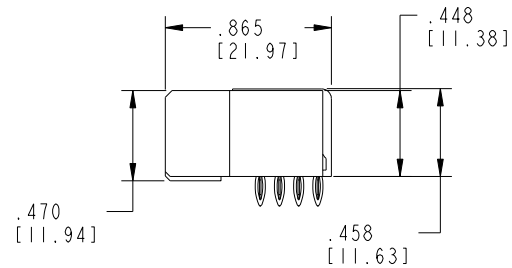
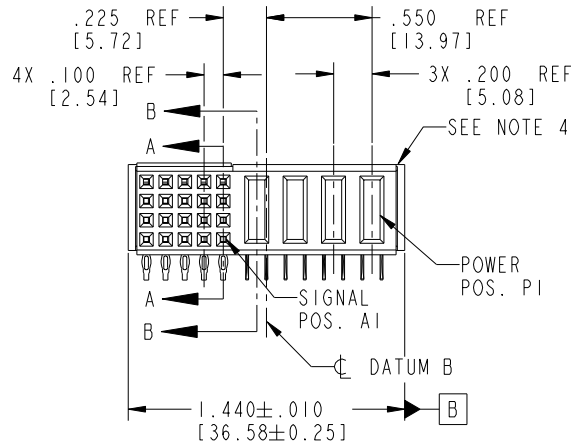


Tous droits strictement réservés. Reproduction ou communication a des tiers interdite sous quelque forme que ce soit sans autorisation écrite du propriétaire. Propriété de c FCI. Droits de reproduction FCI.



All rights strictly reserved. Reproduction or issue to third parties in any form whatever is not permitted without written authority from the proprietor. Property of FCI. Copyright FCI.

PRODUCT NO. 51866-023-- NOTE ③	ROWS D C B A	SIGNAL				POWER				
		5	4	3	2	1	P4	P3	P2	P1
		S	S	S	S	S	PE	PE	PE	PE
		R	R	R	R	R				
		P	P	P	P	P				
		N	N	N	N	N				



CODE	DIM "M" MATING LENGTH	CONTACT TYPE
N	N/A [N/A]	SIGNAL
P	N/A [N/A]	SIGNAL
R	N/A [N/A]	SIGNAL
S	N/A [N/A]	SIGNAL
PE	.042 [1.07]	POWER

mat'l code SEE NOTE 2				tolerances unless otherwise specified		CUSTOMER COPY		 www.fciconnect.com		
ltr	ecn no.	dr	date	linear	.XX±.01/0.X±0.3	projection 	title 4P + 20S R/A PRESS-FIT RECEPTACLE			
A	V03-1260	TAB	11/25/03		.XX±.005/0.XX±0.13		 INCH/MM scale 1:1	product family PwrBlade		code 213
B	DG05-0171	GuoJM	05/19/06	angles	.XXX±.0020/0.XXX±0.051			size A	dwg no 51866-023	sheet 1 of 4
C	DG08-0251	W D	09/16/08	dr	0°±2°	T. BRUNGARD 11/25/03 engr M. GRAY 11/25/03 chr M. GRAY 11/25/03 appd M. GRAY 11/25/03				
sheet index	revision sheet	C 1	C 2	C 3	C 4					

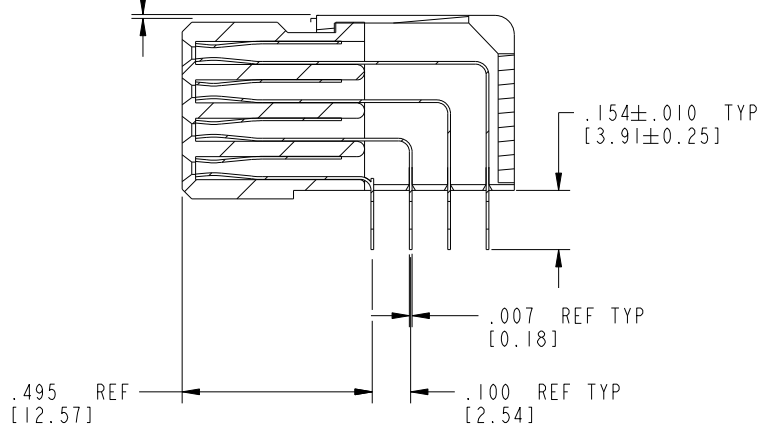
Tous droits strictement réservés. Reproduction ou communication a des tiers interdite sous quelque forme que ce soit sans autorisation écrite du propriétaire. Propriété de c FCI. Droits de reproduction FCI.



All rights strictly reserved. Reproduction or issue to third parties in any form whatever is not permitted without written authority from the proprietor. Property of FCI. Copyright FCI.

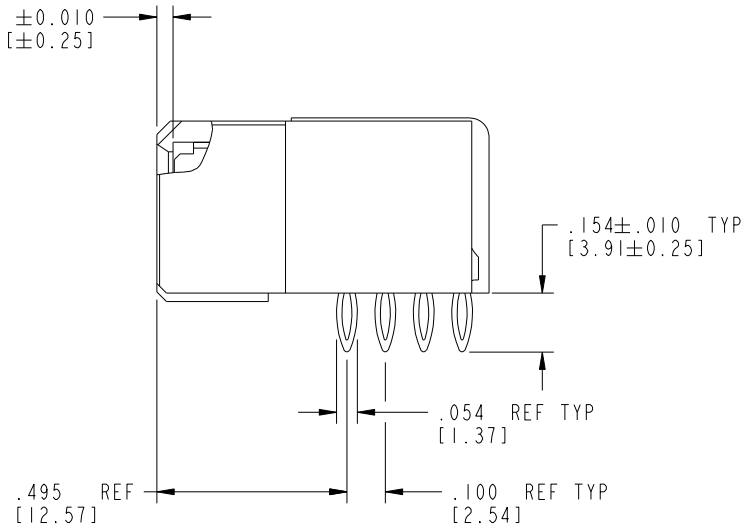
PRODUCT NUMBER
51866-023__
NOTE: (3)

.010 REF
[0.25]



SECTION A-A
SCALE 2:1

DIM "M" ±0.010
[±0.25]



BROKEN-OUT SECTION B-B
SCALE 2:1

mat'l code		SEE NOTE 2		tolerances unless otherwise specified		CUSTOMER		FCI	
ltr	ecn no.	dr	date	linear	.XX±.01/0.X±0.3	COPY		www.fciconnect.com	
C				projection	.XXY±.005/0.XX±0.13	INCH/MM		title	
				angles	.XXX±.0020/0.XXX±0.051	1:1		4P + 20S	
				dr	0° ± 2°	scale		R/A PRESS-FIT RECEPTACLE	
				enr	T. BRUNGARD 11/25/03	A		product family	
				chr	M. GRAY 11/25/03	51866-023		PwrBlade	
				appd	M. GRAY 11/25/03	A		code	
sheet index	revision sheet							213	
								sheet	
								2 of 4	

Pro/E

PDM: Rev: C

STATUS: Released

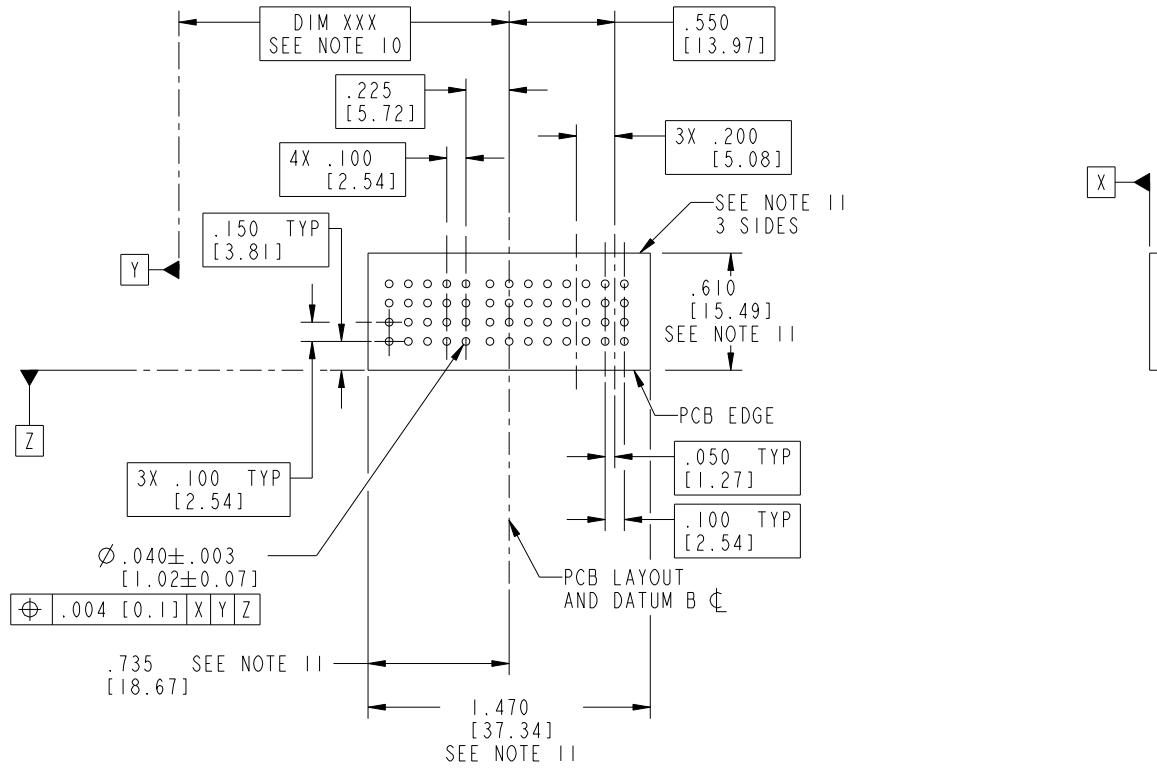
Printed: Sep 21, 2008

Tous droits strictement réservés. Reproduction ou communication a des tiers interdite sous quelque forme que ce soit sans autorisation écrite du propriétaire. Propriété de c FCI. Droits de reproduction FCI.



All rights strictly reserved. Reproduction or issue to third parties in any form whatever is not permitted without written authority from the proprietor. Property of FCI. Copyright FCI.

PRODUCT NUMBER
51866-023--
NOTE: ③



RECOMMENDED PCB LAYOUT

mat'l code		SEE NOTE 2		tolerances unless otherwise specified		CUSTOMER		FCI	
ltr	ecn no.	dr	date	linear	.XX±.01/0.X±0.3	COPY		www.fciconnect.com	
C				linear	.XXY±.005/0.XX±0.13	projection		title 4P + 20S	
				angles	.XXX±.0020/0.XXX±0.051	INCH/MM		R/A PRESS-FIT RECEPTACLE	
				dr	0°±2°	scale		product family PwrBlade	
				enrg	T. BRUNGARD 11/25/03	1:1		code 213	
				chr	M. GRAY 11/25/03			size dwg no	
				appd	M. GRAY 11/25/03			A 51866-023	
sheet index		revision sheet						sheet 3 of 4	

cage code 22536

Pro/E

PDM: Rev: C

STATUS: Released

Printed: Sep 21, 2008

Tous droits strictement réservés. Reproduction ou communication a des tiers interdite sous quelque forme que ce soit sans autorisation écrite du propriétaire. Propriété de c FCI. Droits de reproduction FCI.



All rights strictly reserved. Reproduction or issue to third parties in any form whatever is not permitted without written authority from the proprietor. Property of FCI. Copyright FCI.

1 | 2

3 |

4

PRODUCT NUMBER
51866-023__
NOTE:③

NOTES:

1. DIMENSIONS AND TOLERANCES ARE IN ACCORDANCE WITH ASME Y14.5M, 1994 UNLESS OTHERWISE SPECIFIED.

CONNECTOR NOTES:

②. HOUSING MATERIAL: UL 94 V-0 GLASS FILLED HIGH-TEMP THERMOPLASTIC
POWER CONTACT MATERIAL: COPPER ALLOY
SIGNAL PIN MATERIAL: COPPER ALLOY

△ 3. SEE ITEM 7 & 8 IN PRINT 10064183 FOR PLATING SPEC OF 51866-023 AND 51866-023LF RESPECTIVELY.

④. MANUFACTURER'S NAME, P/N, AND DATE CODE TO APPEAR ON THIS SURFACE.

5. PRODUCT SPECIFICATION GS-12-149.
APPLICATION SPECIFICATION BUS-20-067.

6. PACKAGED IN TRAYS.

PCB NOTES:

7. ALL HOLE DIAMETERS ARE FINISHED HOLE SIZE.

⑧. MOUNTING HOLES, WHERE APPLICABLE, ARE UNPLATED.

⑨. $\varnothing .0453 \pm .0010$ [1.151 \pm 0.025] DRILLED HOLES PLATED WITH
.0003 [0.008] MIN SnPb OVER .001 [0.03]
TO .003 [0.08] Cu PLATING TO ACHIEVE
 $\varnothing .040 \pm .003$ [1.02 \pm .07] HOLE.

⑩. "DIM XXX" TO BE DETERMINED BY THE CUSTOMER.

⑪. CONNECTOR KEEP-OUT ZONE.

12. USE FCI CAM TOOL 430140-011 TO APPLY CONNECTOR TO PCB.

13. △ SYMBOL WILL BE NEXT TO ANY DIMENSION, VIEW, OR NOTE WHICH HAS BEEN MODIFIED WITH THE CURRENT DRAWING REVISION.

mat'l code		SEE NOTE 2		tolerances unless otherwise specified		CUSTOMER		FCI	
ltr	ecn no.	dr	date	linear	.XX±.01/0.X±0.3	COPY		www.fciconnect.com	
C				projection	.XXX±.005/0.XX±0.13	R/A PRESS-FIT RECEPTACLE		title 4P + 20S	
				angles	.XXX±.0020/0.XXX±0.051	INCH/MM		product family PwrBlade	
				dr	0° ± 2°	scale 1:1		code 213	
				enrg	T. BRUNGARD 11/25/03	A		size 51866-023	
				chr	M. GRAY 11/25/03			sheet 4 of 4	
				appd	M. GRAY 11/25/03				
sheet index	revision sheet								

A

A

B

B

1 | 2

Pro/E

PDM: Rev: C

STATUS: Released

Printed: Sep 21, 2008

cage code 22526

4